



TOWN OF BABYLON DEPARTMENT OF ENVIRONMENTAL CONTROL

BID SPECIFICATIONS FOR

HYDROLASING OF LEACHATE TRANSMISSION PIPES

INTRODUCTION

The bid involves services for the following the items in connection with the cleaning of pipes that transmit Ashfill leachate at the Town of Babylon Solid Waste Management Facilities and the examination of the pipes by camera in order to help develop the cleaning schedule as well as to verify that the piping has been satisfactorily cleaned. This includes the internal leachate transmission lines located at the former Town of Babylon Landfill and the leachate force main located on Gleam Street and Edison Avenue at West Babylon, NY.

DESCRIPTION:

ITEM ONE

The Northern U Leachate Transmission Line is a dual containment four inch pipe inside a six inch HDPE SDR 17 pipe. It is approximately 2300 feet long originating at the Northern U Leachate Pump house and tying into an existing six inch line in a manhole adjacent to Gleam Street. There are four cleanouts along the run. Access is facilitated by removing blind flanges from Tee's in cleanout manholes. (See Fig. #1)

ITEM TWO

The Southern Ashfill Leachate Transmission Line is a dual containment six inch pipe inside a ten inch HDPE SDR 17 pipe. It is approximately 1200 feet long originating at the southern transfer sump, continuing through a valve manhole at the corner of Gleam Street and terminating at the leachate storage tanks. There are no cleanouts. Access when required, is facilitated by removing valves in three valve manholes approximately 20 feet deep. (See Fig. #2)

ITEM THREE

The pump station force main is a dual containment four inch pipe inside a six inch HDPE SDR 17 pipe originating at the leachate storage tanks on Gleam Street and running south to Edison Avenue and then continuing east approximately 4820 feet to Straight Path where it joins the Suffolk County (Gravity) sewer line. There are clean out manholes every four hundred feet. (See Fig. #3)

SCOPE OF WORK

The contractor shall understand that he shall coordinate his work with the Towns representative. Work shall be done during the normal business hours: Monday- Friday 7:00 AM through 3:30 PM. The Contractor shall mobilize within 24 hours of being notified for emergency work.

The contractor shall enter the manholes and remove blind flanges, valves, etc. as necessary to gain access to the transmission line. Contractor personnel shall be OSHA Hazwopper, confined space, and rescue certified.

The Contractor shall use hi pressure water jetting equipment (hydrolazer) to remove build up on HDPE pipe walls as well as total blockages in the transmission lines. Photographic documentation of the successful cleanup shall be provided to the Town of Babylon upon completion.

The contractor shall provide and use a vacuum truck where necessary to remove the residue generated by cleaning before it enters the secondary containment pipe. The contractor shall take every precaution to prevent the secondary containment pipe from becoming clogged with residue.

The contractor understands he shall take every precaution to insure that ash residue or leachate does not discharge from the clean out to the surrounding area.

The contractor shall be responsible for any damage to the transmission line or equipment as a result of the work.

At the end of each work day the contractor shall provide the Town a work order describing the work done, date, time, manpower and equipment. The order shall be signed by a representative of the Town.

The contractor may empty his vacuum truck of ash residue and leachate in the Towns Ashfill as directed by the Town.

When the work involves manhole entry located on roadways the Town shall provide traffic control, including flagmen and barriers in order to safely accomplish the work.

Ashfill leachate is considered non hazardous waste but may not be discharged to the environment. Spills shall be treated as such. MSW ash is treated with lime, deposits to be removed by hydrolazing are generally calcareous.

ADDITIONAL INFORMATION:

Bidders are encouraged to visit the site. Appointments made by contacting Tom Vetri, Deputy Commissioner at (631) 249-9347.

WORK EXPERIENCE

The Contractor must demonstrate at least 5 years of experience in Hydrolazing with appropriate equipment and provide documentation of successful past work at similar facilities. References shall be provided upon request.

Contractor must pay prevailing wage and comply with all the requirements of the New York State Dept. of Labor.

Original certified payroll forms must be submitted to the Department of General Services with each request for payment. Failure to do so will result in payment being withheld.

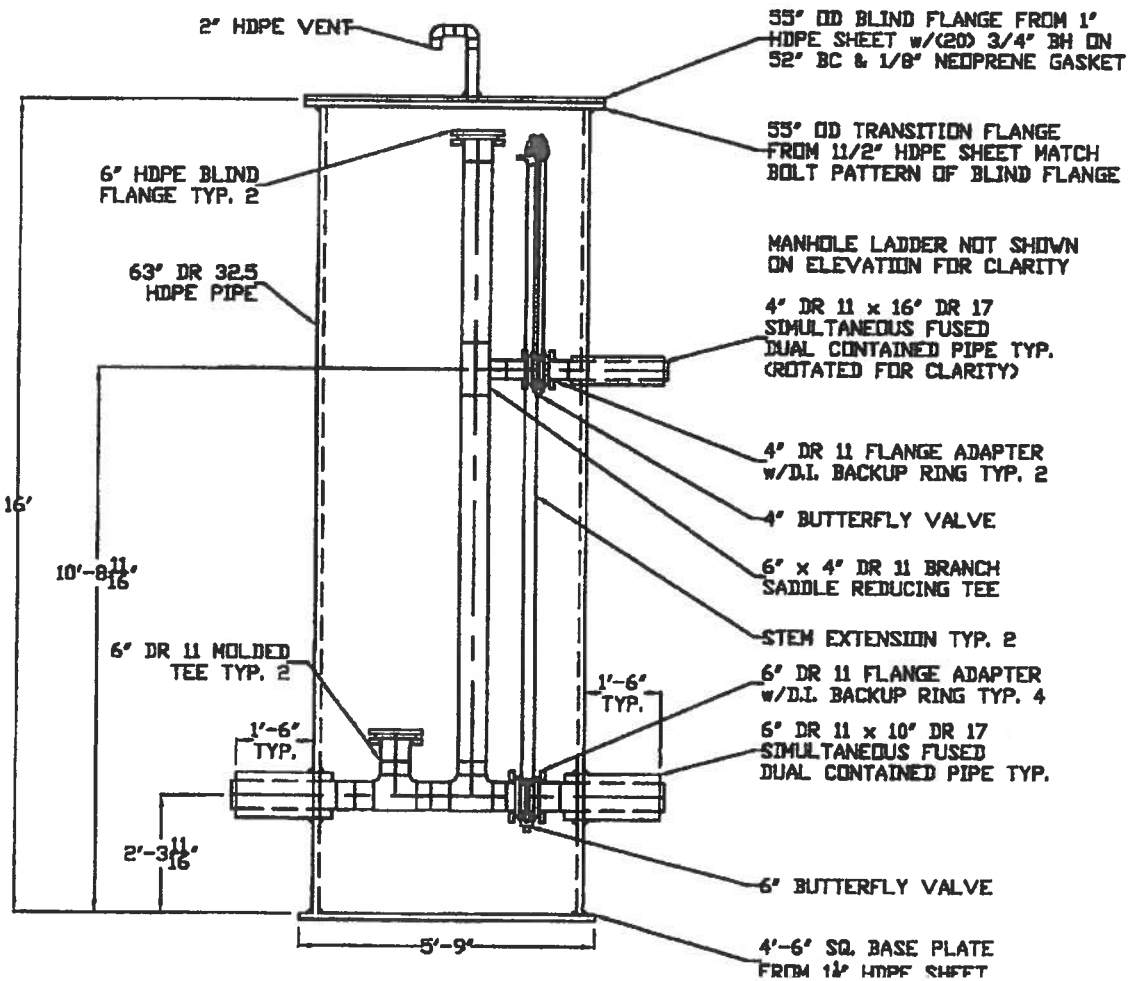
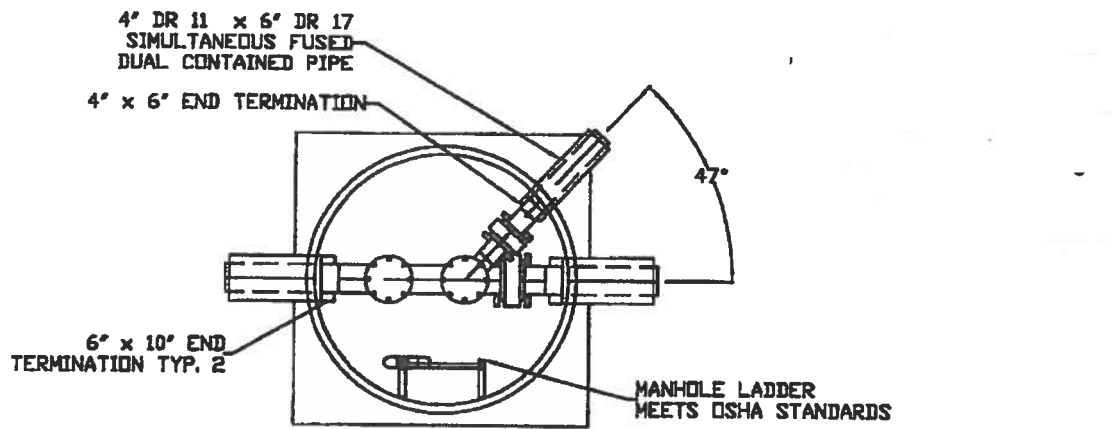
AWARDING: The Town may award this bid in whole or in parts, or make no award at all, whichever is in the best interest of the Town. Bid awards are contingent upon available funding and the Town makes no guarantee that will utilize all items on the bid.

Any bidder found imbalancing the bid in any of the unit prices will be cause for bid rejection. This bid will be awarded to one bidder, in its entirety. Unit prices for the hourly rate on Saturdays, Sundays & Holidays will not be used in determining bid award.

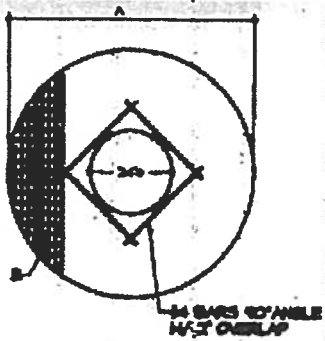
All signatures to be original. Do not remove any pages from the bid contract. Return the bid contract in its entirety.

#2

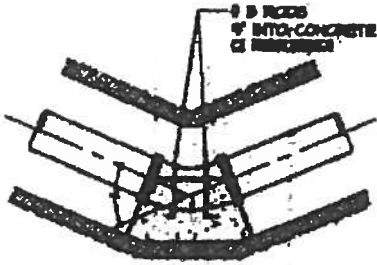
63" DR 32.5 HDPE CONNECTION MANHOLE



THIS DRAWING/DESIGN PROVIDED BY AND PROPERTY OF Teco Industries, LLC. IT IS INTENDED FOR MANUFACTURE, INSTALLATION, AND REPAIR/MAINTENANCE USES OF PRODUCT DESIGNED AND SHOWN. NO OTHER USES OR REPRODUCTION WITHOUT EXPRESS PERMISSION FROM MANUFACTURER OF Teco Industries, LLC. ALL RIGHTS RESERVED.

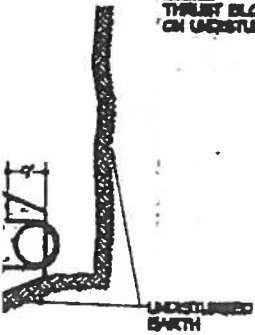
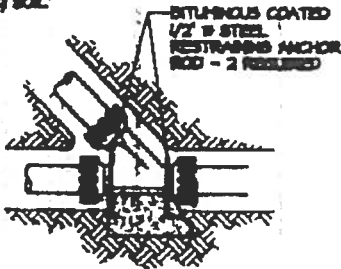


③ 48" CASTING SLAB
 NOT TO SCALE
 ITEM No. S-516, S-518



PLAN

NOTES
 THRUST BLOCK TO BEAR ON UNDISTURBED SOIL.



SECTION

NOTE: MAX. TEST PRESSURE 200 PSI

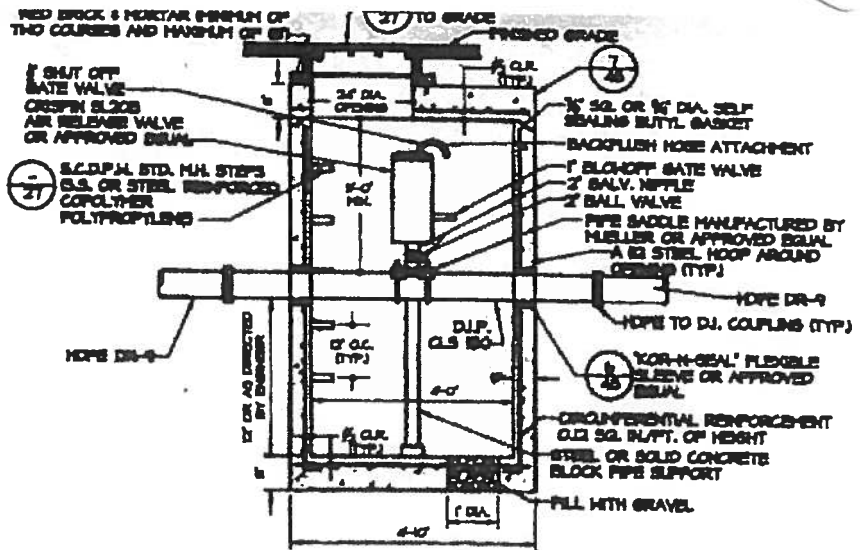
END END OR TIE	90° END	45° END	25/2 1 END
1	1	1	1
2	2	2	2
3	3	3	3
4	4	4	4
5	5	5	5
6	6	6	6
7	7	7	7
8	8	8	8
9	9	9	9
10	10	10	10
11	11	11	11
12	12	12	12
13	13	13	13
14	14	14	14
15	15	15	15
16	16	16	16
17	17	17	17
18	18	18	18
19	19	19	19
20	20	20	20
21	21	21	21
22	22	22	22
23	23	23	23
24	24	24	24
25	25	25	25
26	26	26	26
27	27	27	27
28	28	28	28
29	29	29	29
30	30	30	30
31	31	31	31
32	32	32	32
33	33	33	33
34	34	34	34

THRUST BLOCK BEARING AREA
 SQUARE FOOT BEARING AREA OF BLOCKS ON UNDISTURBED EARTH

④ THRUST BLOCK DETAIL
 NOT TO SCALE
 ITEM No. S-526, S-528, S-530, S-532, S-534

NOTES
 CREATE BLOCKS ON ALL PIPE LINES 4-INCH IN DIAMETER AND ALL TIES, PLUGS, CAPS, AND AT BENDS DEFLECTING 22 1/2° MORE. BLOCKS SHALL BE A CONCRETE MIX HAVING A STRENGTH OF NOT LESS THAN 3000 PSI. PLACE BLOCKS LEAD GROUND AND THE FITTINGS TO BE ANCHORED. PLACE BLOCKS IN PIPE AND FITTING JOINTS SHALL BE ACCESSIBLE FOR REPAIR.
 IN LINES, THE RODS AND PIPE CLAMPS OR RETAINERS BANDS SHALL BE IN ADDITION TO CONCRETE BLOCKS SPECIFIED ABOVE AT AND IN THE TIES, PLUGS CAPS AND BENDS DEFLECTING 22-1/2 DEGREES OR MORE.
 TYPICAL BENDS, 3/4-INCH DIAMETER THE RODS AND PIPE CLAMPS OR BANDS SHALL BE PROVIDED IN ADDITION TO THE CONCRETE BLOCKS SPECIFIED ABOVE FOR BENDS DEFLECTING 22-1/2 DEGREES OR MORE.

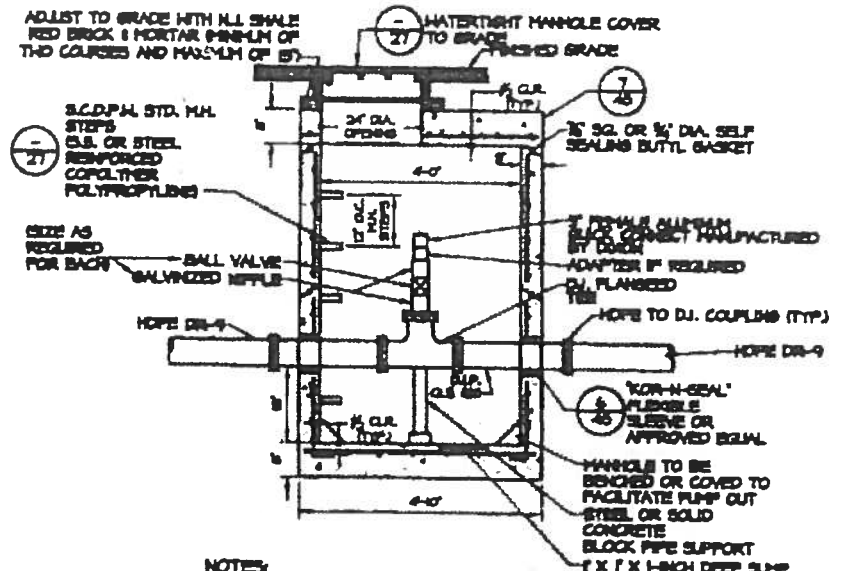
#3



- NOTES**
1. ALL MANHOLES SECTIONS SHALL CONFORM S.C.D.P.M. 4 DIA. SANITARY SEWER M.H. TO REQUIREMENTS 1 A.S.T.M. C-476, FOR PRECAST REINFORCED CONCRETE M.H. SECTIONS.
 2. MANHOLE RISER SECTION TO BE FURNISHED IN 1, 2, 3, OR 4 HEIGHTS AS REQUIRED.
 3. MANUF. TO CERTIFY THAT MANHOLES DELIVERED MEET ALL REQUIREMENTS OF S.C.D.P.M. SPECS.
 4. LOADINGS TO CONFORM TO AASHTO H-20 LOADS
 5. REBAR TO CONFORM TO ASTM A-665 Fw-60000PSI
 6. WELDED WIRE MESH TO CONFORM TO A.S.T.M. ALSO Fw-65000PSI
 7. CONCRETE TO BE 4000PSI @ 28 DAYS
 8. FLAT SLAB TOPS (NO JOINT) MUST HAVE TOP & BOTTOM STEEL.
 9. BOTTOM SLAB MANUFACTURED WITH 12" OPENING OR CORE IN FIELD.
 10. FEATHER PAVEMENT AT TOP OF CASTINGS TO MATCH EXISTING TOP OF TEMPORARY ASPHALT UNTIL TIME OF FINAL PAVING.

⑤ AIR RELEASE VALVE MANHOLE DETAIL
 NOT TO SCALE
 ITEM No. S-514

AIR RELEASE MANHOLE SCHEDULE		
ID	STATION	SHEET
AS	10+00	41
AS	10+50	42



- NOTES**
1. ALL MANHOLES SECTIONS SHALL CONFORM S.C.D.P.M. 4 DIA. SANITARY SEWER M.H. TO REQUIREMENTS 1 A.S.T.M. C-476, FOR PRECAST REINFORCED CONCRETE M.H. SECTIONS.
 2. MANHOLE RISER SECTION TO BE FURNISHED IN 1, 2, 3, OR 4 HEIGHTS AS REQUIRED.
 3. MANUF. TO CERTIFY THAT MANHOLES DELIVERED MEET ALL REQUIREMENTS OF S.C.D.P.M. SPECS.
 4. LOADINGS TO CONFORM TO AASHTO H-20 LOADS
 5. REBAR TO CONFORM TO ASTM A-665 Fw-60000PSI
 6. WELDED WIRE MESH TO CONFORM TO A.S.T.M. ALSO Fw-65000PSI
 7. CONCRETE TO BE 4000PSI @ 28 DAYS
 8. FLAT SLAB TOPS (NO JOINT) MUST HAVE TOP & BOTTOM STEEL.
 9. FEATHER PAVEMENT AT TOP OF CASTINGS TO MATCH EXISTING TOP OF TEMPORARY ASPHALT UNTIL TIME OF FINAL PAVING.

⑥ DRAIN MANHOLE DETAIL
 NOT TO SCALE
 ITEM No. S-514