

SPECIFICATIONS

ITEM #1, #2, & #3



Instant Response Open-Type Expulsion Arrester ANSI C136.10-1988

The N7700 Series locking-type photoelectric controls are designed to meet electric utility stringent requirements for roadway lighting.

These photoelectric controls have provided more hours of dependable operation than any other photocell. Conservatively rated for 5,000 operations (13 years) on loads of 1800VA, the N7700 Series is the industry standard.

The N7760 unit is a low-cost, highly reliable 120V control. A deluge arrester is available for use in areas having high lightning activity. A wide, crosslinked polyethylene gasket assures weatherproof sealing with the luminaire socket.

Application

Series 7700 state-of-the-art, automatically-actuated controls are designed for industrial, commercial, street and highway luminaires equipped with locking-type receptacles. The control's "easy-to-test" instant ON/OFF feature makes it ideal for HID lighting in hard to reach locations. The Series N7790 multi-voltage units are ideal for the "right for any job" function desired by electrical contractors.

Photocell:

1.0 inch cadmium sulfide (CdS) surface passivated.

Switch Type:

SPST-NC (single-pole, single-throw, normally closed) electromagnetic relay.

Housing:

UV-resistant, high-impact, polypropylene cover with clear UV-stabilized window. Meets ANSI color-coded standards.

Base:

Polyphenylene Oxide (PPO) (3" dia.)

Surge Arresters

Standard: 2.5kV spark-over minimum 5,000A follow-through capability.

Deluxe: 2.0kV spark-over minimum 10,000A follow-through capability.

Turn-On:

1 footcandle (fc) nominal.

Turn-On:Turn-Off Ratio:

1:3

Rated Life:

5,000 operations minimum at rated load.

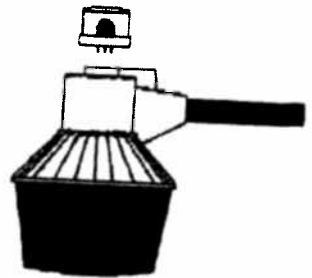
Temperature Range:

-40° to +70°C

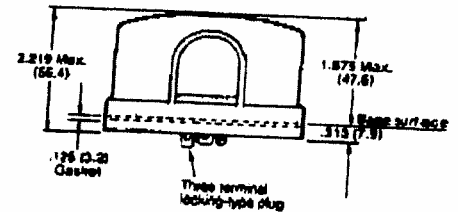
-40° to +158°F

Dimensions:

3.078" Dia.; 2.219"H.



N7700 Series Mechanical Diagram



Ordering Information

Model	Line Voltage	Standard Gap Arrester	Deluxe Expulsion Arrester	Standard Photocell	"P Cell" Hermetically Sealed Photocell	HID Load Rating
N7760	120V		X	X		1800VA
N7762E	120V		X	X		1800VA
N7772E	240V		X			1800VA
N7760L	120V		X		X	1800VA
N7772E	240V		X		X	1800VA
N7790B	105-285V	X		X		1800VA
N7790E	105-285V		X	X		1800VA
N7790L	105-285V		X		X	1800VA
N7790	380V		X	X	X	1800VA
N7793	350V		X		X	1800VA

N7700 Series

N7760C - Highly reliable, low cost 120 volt

N7790BC - Multi-voltage designed to operate either 120V, 240V, or 277V

Specifications

Photocell - 0.75 sq. in. cadmium sulfide cell.

Relay - Single pole, single throw, normally closed instant response electromagnetic relay.

Housing - UV-resistant high impact polypropylene cover and thermoset phenolic base.

Surge Arrester - 2.5 KV spark-over min. 5000A follow-through capability.

Turn ON/OFF - ON at approximately 1 footcandle. OFF at approximately 3 footcandles.

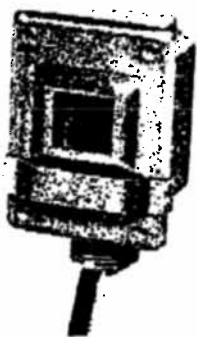
Rated Life - 5000 operations minimum at rated load.

Warranty - 5 years from date of manufacture.

SPECIFICATIONS

ITEM #4 - HEAVY DUTY WIRE-IN PHOTOCONTROLS

FT Series



Specifications

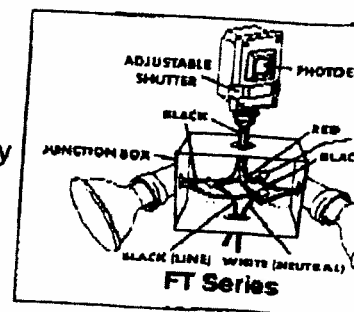
Photocell - 0.75 sq. in. cadmium sulfide cell.

Relay - Single pole, single throw, normally closed bimetallic relay with a time delay of 30 seconds minimum.

Turn ON/OFF - ON between 1-5 footcandles. OFF at approximately 15 footcandles. Field adjustable using sliding shutter.

Rated Life - 3000 operations minimum at rated load.

Warranty - 3 years from date of manufacture.



Model	Voltage	LOAD RATING		(S.P.) Shelf Pack	Case Pack	Cube	Weight
		Tungsten	HID Ballast				
FT15C	120V	1800W	1000VA	6	6 S.P.	1.65	11
SFT15C	120V	1800W	1000VA	6	5 S.P.	1.65	13.2
FL115C	120V	1200W	1000VA	6	5 S.P.	1.65	10



FT SERIES

Enclosed in a UV-resistant rain-tight polypropylene housing

Equipped with a 1/2" threaded nipple which fits into a standard 1/2" conduit knockout

Field adjustable using sliding shutter

SPECIFICATIONS

ITEM #5 & #6

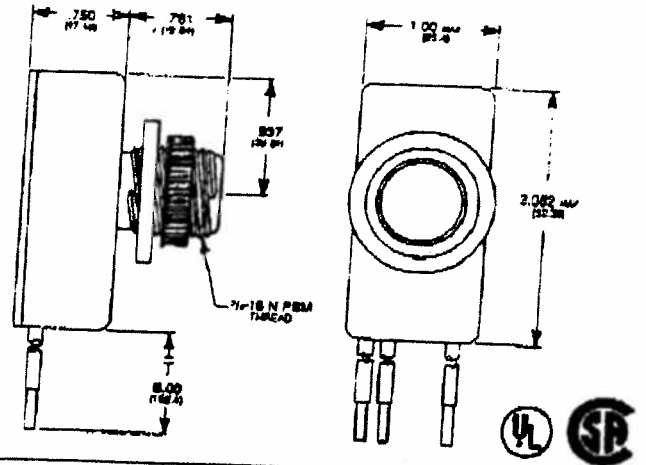
Construction

Nightlighter wire-in photocontrols are manufactured from durable, high quality materials to guarantee reliable performance. The housing is molded from UV-resistant polycarbonate material which offers excellent mechanical strength and high impact resistance.

The opaque housing eliminates false operation due to light feedback from within the fixture. A clear ultraviolet-stabilized lens prevents cracking or clouding due to sunlight.

Series FA105, FA305, and FA1068 controls are UL listed and CSA approved, and have passed all applicable portions of ANSI/IEEE C-138.1 for outdoor lighting controls.

Mechanical Data

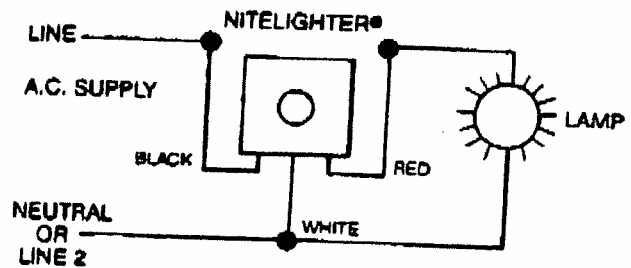


Specifications

Photocell:	1 in. cadmium-sulfide (surface passivated)
Switch:	SPST-NC (single pole single throw normally closed)
Housing:	UV-resistant polycarbonate
Lead Wire:	#18 AWG UL Listed 105°C, Color Coded • Line ————— Black • Load ————— Red • Neutral (Common) ————— White
Lead Length:	6' Standard - other lengths available
Voltage Rating:	FA105 - 120V nominal, 50/60 Hz (105-130V capability) FA305 - 120V nominal 50/60 Hz (105-130V capability) FA1068 - 208-277V nominal, 50/60 Hz (200-300V capability)
Nominal Turn-On*:	1-4 foot-candles (10-40 Lux)
Turn Off :	8 foot-candles (85 Lux) max.
Rated Load:	FA105, FA1068 1800W Incandescent Load 1000VA Mercury Vapor, High Pressure Sodium or other H.I.D. Load 300W Incandescent Load FA305 300W Incandescent Load
Rated Life:	5,000 Operations Minimum at Rated Load
Temperature Range:	-40°F to +140°F -40°C to +60°C

*FA1068 Calibrated at 240Volt

Installation Instructions



MODEL FA105: 120 Volt supply
MODEL FA305: 120 Volt supply
MODEL FA1068: 208, 240 or 277 Volt supply

Installation must be in compliance with all national and local electrical codes.

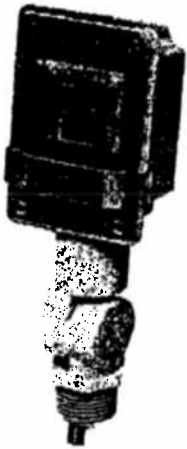
Ordering Information

Model No.	Rating
*FA105	120V - 1800W, 1000VA
FA305	120V - 300W
*FA1068	208/277 - 1800W, 1000VA

(Other voltages, temperature ranges and ratings available — contact your Fisher Pierce representative for more information.)

SPECIFICATIONS

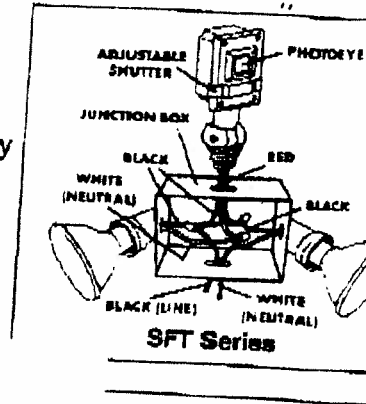
ITEM #7 - HEAVY DUTY WIRE-IN SWIVEL MOUNT PHOTO CONTROL



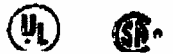
SFT Series

Specifications

Photocell - 0.75 sq. in. cadmium sulfide cell.
Relay - Single pole, single throw, normally closed bimetallic relay with a time delay of 30 seconds minimum.
Turn ON/OFF - ON between 1-5 footcandles. OFF at approximately 15 footcandles. Field adjustable using sliding shutter.
Rated Life - 3000 operations minimum at rated load.
Warranty - 3 years from date of manufacture.



Model	Voltage	LOAD RATING		(S.P.) Shelf Pack	Case Pack	Cube	Weight
		Tungsten	HID Ballast				
FT15C	120V	1800W	1000VA	6	6 S.P.	1.65	11
SFT15C	120V	1800W	1000VA	6	5 S.P.	1.65	13.2
FL115C	120V	1200W	1000VA	6	5 S.P.	1.65	10



SFT SERIES

Enclosed in a UV-Resistant rain tight polypropylene housing
 Equipped with swivel mounting for easy placement and positioning
 Field adjustable using sliding shutter